



Installation Instructions

Polyurethane Porch Posts & Columns

General & Safety Information

- Wear proper personal protective equipment (PPE).
- Operate all tools per manufacturer guidelines.
- Standard woodworking saws and blades can be used for cutting Fypon® polyurethane (PUR) products, except in cases where metal is being cut.
- Fypon polyurethane porch posts and columns have an internal steel pipe and are load bearing. See table in the following instructions for load-bearing capacities.
- Consult your local building department for applicable codes and building requirements.
- For best results, finish and allow to dry prior to installation. Refer to Fypon General Finishing Instructions, which can be found at fypon.com/pages/install.
- All Fypon PUR products must be installed per the following instructions and finished within 90 days of installation to maintain warranty coverage.

Tools / Materials

- Ladder
- Pencil
- Tape measure
- Level
- Square
- Drill / driver with Phillips bit
- Circular saw or hand saw (for cutting polyurethane)
- Hacksaw or reciprocating saw (for cutting inner steel tube)
- Plumb line
- Hydraulic jack and 4x4 (for lifting overhead porch structure)
- 3/16" drill bit
- 1/2" drill bit
- Sandpaper (220-grit recommended)
- Caulk gun
- Polyurethane-compatible filler
- Flat-head exterior-grade fasteners
- Zinc-based primer spray paint

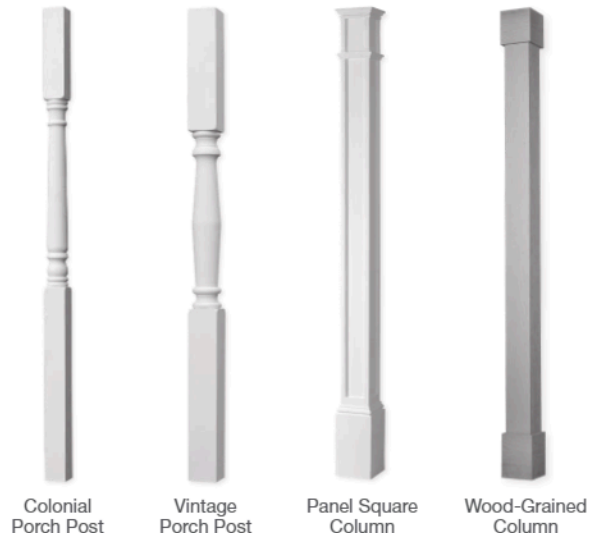
Included with post kit:

- (1) Post
- (2) Mounting Plates
- (4) #14 x 2" Stainless Steel Sheet-Metal Screws

Installation Instructions

Polyurethane Porch Posts & Columns		
Type	Size	Load-Bearing Capacity (lbs)
Colonial	4- ³ / ₄ "	6,000
	5- ¹ / ₂ "	6,000
Vintage	7- ¹ / ₂ "	12,000
Panel Square Column	6- ¹ / ₈ "	12,000
	8"	12,000
Wood-Grained Column	7"	12,000

Refer to the table above to verify the load-bearing capacity of the post being installed.



1) Measure and cut post.

Measure the distance from the floor to the mounting surface on the overhead porch structure at the desired location for the post (Figure 1A). Measure that distance from the top end of the post and mark lines on all four sides using a square (Figure 1B).

To ensure a square cut, use a circular saw or hand saw to cut through the polyurethane shell on all four sides, making sure not to cut the steel tube inside (Figure 1C). Then use a hacksaw or reciprocating saw to cut through the steel tube (Figure 1D) at the same location so it is flush with the polyurethane shell.

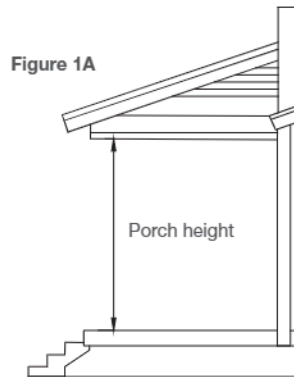


Figure 1A

Figure 1B

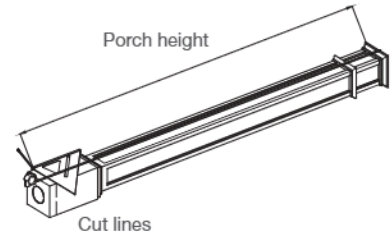


Figure 1C

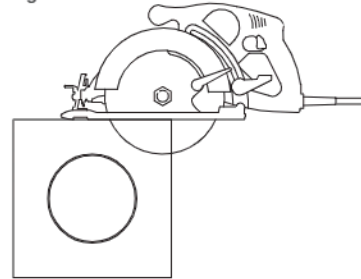
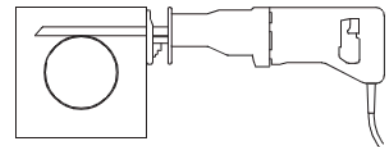


Figure 1D



2) Paint pipe ends and mounting plates.

Paint the mounting plates and exposed steel pipe at both ends of the post with a high-quality zinc-based primer to prevent corrosion (Figure 2).

Figure 2

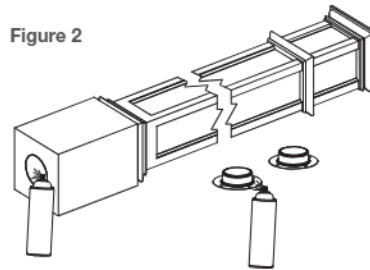
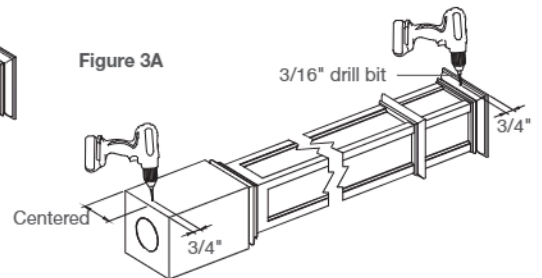


Figure 3A



3) Drill mounting holes in post.

Drill a 3/16" diameter hole that is 3/4" from the bottom of the post and centered (Figure 3A). Make sure to drill through the polyurethane shell and steel tube. Drill an identical hole on the opposite side of the post. Repeat holes at top end of post. Now use a 1/2" drill bit to enlarge all four of the 3/16" holes in the polyurethane shell only, but do not drill through the steel tube (Figure 3B).

Figure 3B

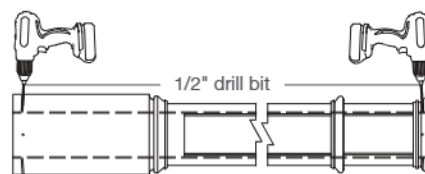
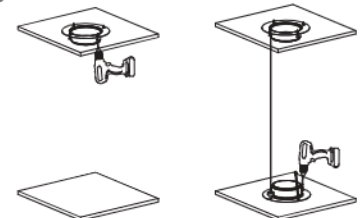


Figure 4



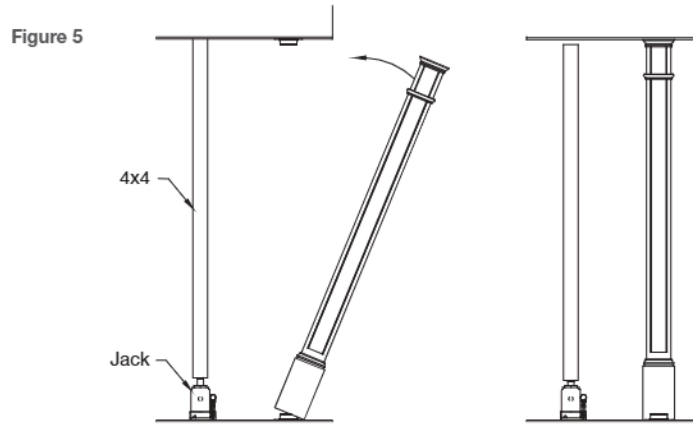
4) Attach mounting plates.

Refer to Figure 4 and fasten the top mounting plate at the desired location, using flat-head exterior-grade fasteners. Use a plumb line to align the holes in the top mounting plate with the holes in the bottom mounting plate on the floor and fasten the bottom mounting plate to the floor using flat-head exterior-grade fasteners.

5) Position the post.

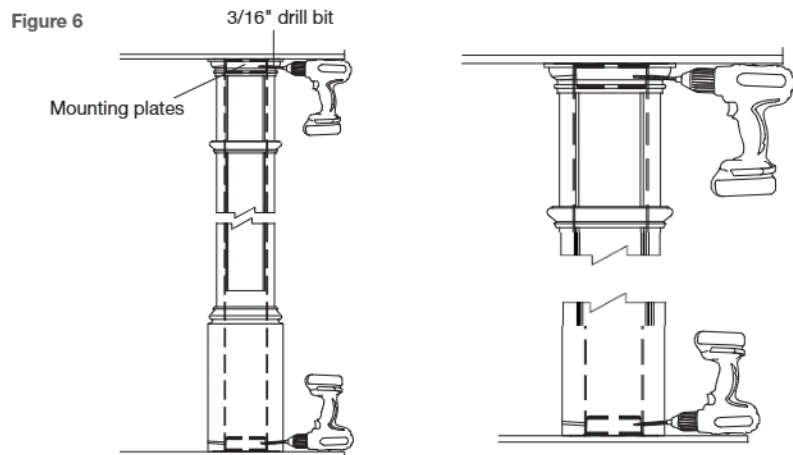
Refer to Figure 5. Use a jack and 4x4 (cut to fit) to raise the upper structure.

If trim pieces will be installed, slide them onto the post before setting it. Set the bottom of the post onto the bottom mounting plate and slowly lift the upper structure until the post can be tilted into place. Once the post is aligned with both the top and bottom mounting plates, slowly lower the jack until the upper structure rests on the post. Confirm the post is plumb, then remove the jack and 4x4.



6) Secure post to mounting plates.

Refer to Figure 6. Using a 3/16" drill bit, drill through the top and bottom mounting plates using the previously drilled holes as a guide. Secure the post to the mounting plates using the provided #14 x 2" stainless steel sheet metal screws, so the heads are against the steel tubing inside the post.



7) Secure trim pieces

Apply adhesive to the trim pieces and press them against the overhead porch structure and / or porch floor. Secure with exterior-grade fasteners, if desired. Refer to Figure 7.

8) Fill and sand fastener holes.

Fill fastener holes with filler and sand to match surrounding area, if needed, but do not remove the primer.

9) Touch up or finish.

Refer to Fypon® General Finishing Instructions. If part was finished prior to installation, touch up filled fastener holes with color-matched finish.

